

DBP Consulting LLC

Providing Affordable Technology for Everyone!

- **Industrial Design**
- **Machine Design**
- **3D Solid Modeling**
- **CAD Training**
- **Technical Illustration**
- **Proposal Preparation**
- **Stress Analysis**
- **Dynamic Analysis**

Authorized Reseller for Alibre CAD/CAM Software



DBP Consulting LLC

For more information about DBP Consulting please contact Dallas Perkins.

Phone: 727-432-1157

Address: P.O. Box 8608, Seminole, FL 33775

E-mail: dallasperkins@verizon.net

Website: dbpconsultingllc.com

The Alibre CAD/CAM product lines are presented on the following slides.



Alibre the Company that's Redefining the CAD/CAM Market

Alibre Inc., based in Richardson, Texas, delivers affordable design solutions to tens of thousands of businesses and individuals in 15 languages in over 50 countries. Founded in 1997, Alibre is led by visionaries who sought to change the landscape of 3D mechanical CAD/CAM software by providing full parametric CAD technology to anyone that needs it.



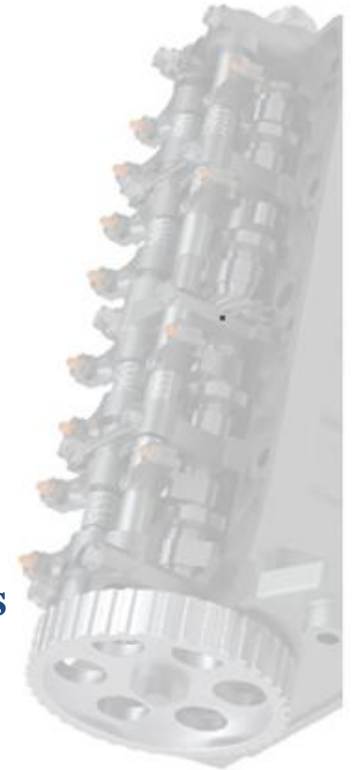
Professional, Affordable 3D CAD/CAM

Alibre makes powerful, affordable, and easy to learn parametric CAD/CAM software that's within anyone's budget. We're not talking \$5000 to \$10,000. Think about getting 3D CAD/CAM, FEA, Rendering, Document Management, and much much more for under \$1200! In fact, Alibre has an introductory CAD software program for less than \$100!



Alibre Design CAD Software

- **Alibre CAD: 95% of the functionality at 20% of the price**
- **Parts, Assemblies, and 2D drawings that are fully associative**
- **It's easy to learn and use . . . not just for CAD experts**
- **For small and large companies in multiple industries**
- **For those new to 3D or extending existing 3D Capabilities**
- **Proven interoperability with other professional CAD systems**
- **Easy web-based deployment, updates, and direct support**



What can you do with Alibre Design?

- Design Solid Models
- Design Sheet Metal Parts
- Participate in Real Time Team Design
- Access Standard Parts Libraries
- Make Assemblies with Unlimited Parts
- Add Section & Exploded Views
- Make Associative B.O.M. & I.B.O.M.
- Incorporate Multiple Configurations
- Create SolidWorks & other CAD Files!
- Make PDF's of Parts & Assemblies
- Make Photographic Renderings
- Produce Associative Detail Drawings
- Perform a Stress Analysis
- Perform an Interference Analysis
- Perform a Dynamic Analysis
- Access the Machinist Tool Box



CAD Users are Switching to Alibre Design!

Who is making the switch?

Thousand's of SolidWorks, AutoCAD/Inventor, CATIA, and Pro/ENGINEER users have found they can get their jobs done with Alibre Design so why use more expensive CAD programs?

They are tired of paying \$1000 to \$5000 per seat year after year just for the privilege of product updates, and sick of never getting decent support!

It boils down to people realizing they are paying too much and getting too little in return.



Who uses Alibre Design?

Abbott Laboratories
Alcoa
American Airlines
ARC Technologies
Avistar Inc.
AutoFast Technologies
Battelle
Bechtel
Boyd Lighting Co.
Calsonic-Kansei
Carrier Corporation
Caterpillar
EG&G Defense Materials
Exxon Mobile

Fabrico
Huyett
General Dynamics
General Electric
General Mills
Honeywell
IBM
Jet Propulsion Lab
Kelowna Flightcraft
Kennametal
Keystone Applied Tech
Laird Technologies
Lytron
Method Electronics

MSI
NASA
Naval Air Warfare Center
Northrop Grumman
Pfizer
Pratt & Whitney
Praxair
Sandia National Lab
ShopBot Tools Inc.
Siemens
S.W. Research Institute
Tamko
Whirlpool
Wyle Laboratories Inc.



Alibre Design CAD Software

Alibre Design PE . . . an introductory program for only . . . \$99!!!

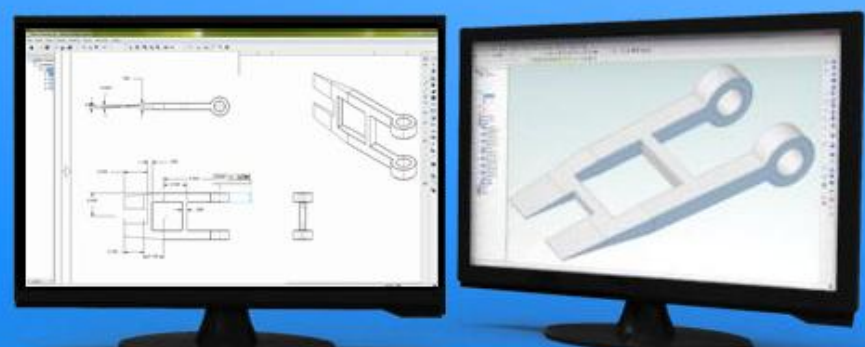


make everything always
fit together

- Stop wasting time with 2D design programs
- Fully visualize your projects in 3D
- Make significant changes in seconds
- See the motion of the design

nearly automatic
2D drawings

- 2D drawings that **automatically update**
- Never create another 2D drawing by hand again
- Improve accuracy and save loads of time



Alibre Design CAD Software

Alibre Design Pro

... \$599!!!

3D Model Creation

2D Documentation

Sheet Metal Design

Part Library

Rendering

Import/Export

Alibre Design Expert

... \$1199!!!

Includes all Pro features +

Configurations

Direct Editing

FEA

CAM

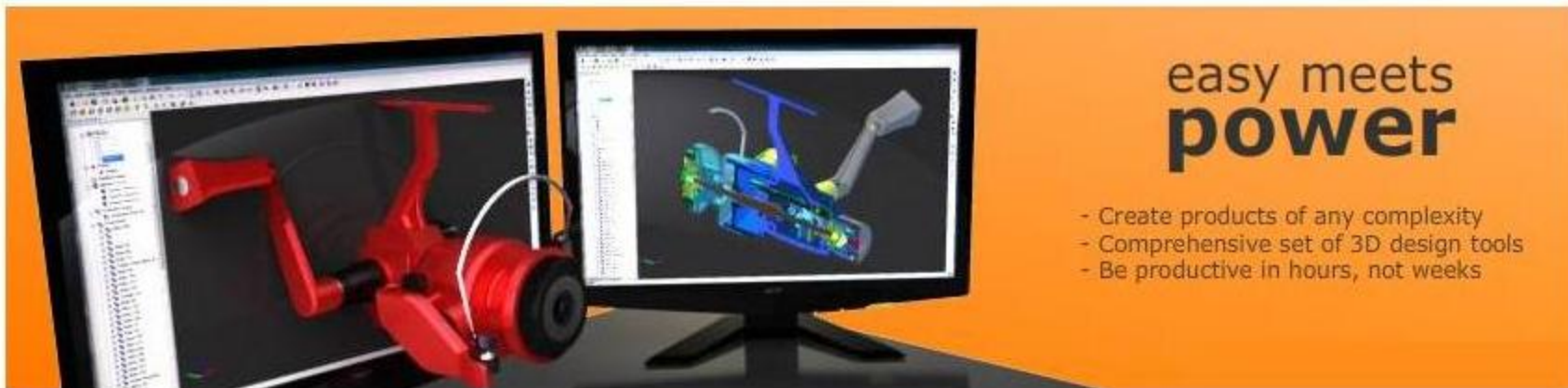
Motion

Vault

Alibre Translate



Alibre Design Solid Modeling



Alibre Design Expert is our flagship design suite with mechanical design tools comparable to those you will find in SolidWorks, Pro/ENGINEER, and Inventor. In fact, if you're familiar with any of those programs, you will jump right into Alibre Design. Incorporating all of the tools we offer, it is perfect for engineers that require a wide range of powerful 3D CAD, verification, and analysis functionality. Alibre Design is the easiest 3D CAD application to learn and use, with a straightforward user interface and easy and efficient workflows



Alibre Design Sheet Metal

design how you manufacture

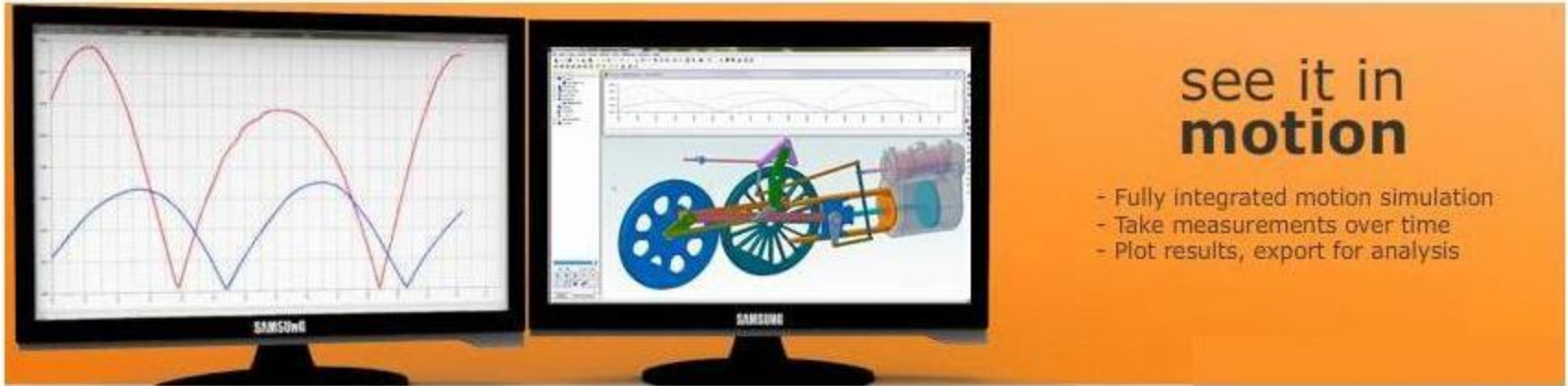
- Easily create complex sheet metal parts
- Support for lofted transitions
- Instant flat patterns in 2D and 3D



The Alibre Design sheet metal module allows you quickly and easily create sheet metal parts within the Alibre Design interface, without having to learn or purchase a separate program. This comes with all the advantages of complete integration, such as a seamless workflow and instant flat pattern and detailing in Alibre Design's drafting component.



Alibre Design Motion Simulation



Alibre Motion allows you to take 3D assemblies and perform motion simulation above and beyond what you can do in the normal assembly workspace. By automatically mapping the assembly constraints into motion constraints, much of the tedious aspect of traditional motion simulation and analysis programs is eliminated. Analysis tools help you quickly do things like determine where interferences will occur while your design is in motion or find out the velocity of a part over time.



Alibre Design 2D Documentation



Turning 3D parts and assemblies into 2D manufacturing drawings is straightforward and easy in Alibre Design's 2D Drafting module. Just pick which views you want to include, and let the software automatically create things like design dimensions, center marks, hole callouts, and the title block. Then refine the drawing with additional views and annotations until you are finished.



Alibre Design Data Management



documents
contacts managed

- One application to manage everything
- Lightning fast search
- Roll back to previous file versions

The Alibre Vault by M-Files is a completely integrated document, process, and business management solution. It allows you to control contacts, projects, CAD data, revision controls, and absolutely any type of file in a single, searchable, flexible user interface. Deployed company wide, the Alibre Vault eliminates duplicate documents and delivers a single-source document and business management system.



Alibre Design Model Rendering

impress prospects
clients

- Drag and drop simplicity
- Include finished products in the proposal
- Professional graphics for websites, brochures



KeyShot for CAD is what you use to turn your CAD models into amazing photorealistic images. It's what almost every image on this website was made with. It's an all new generation software renderer that allows anyone within minutes to create photographic realism with their model. Most importantly, it's **easy**. Drag-and-drop materials, preset lighting, and real-time updates give you the final result all the time.



Alibre Design vs. SolidWorks

Cost Comparisons and Total Cost of Ownership Savings

TCO Calculator Alibre Design vs. SolidWorks							
<i>Reg List Prices</i>	License cost	Annual Maint.		<i>Reg List Prices</i>	License cost	Annual Maint.	
Alibre Design PE	\$99	\$99		SolidWorks Standard	\$3,995	\$1,295	
Alibre Design Professional	\$599	\$199		SolidWorks Professional	\$5,490	\$1,495	
Alibre Design Expert	\$1,199	\$299		SolidWorks Premium	\$7,995	\$1,995	
<i>Total Costs</i>	Total License	Total Maint.	TCO	<i>Total Costs</i>	Total License	Total Maint.	TCO
Alibre Design PE	\$297	\$1,485	\$1,782	SolidWorks Standard	\$11,985	\$19,425	\$31,410
Alibre Design Professional	\$1,797	\$2,985	\$4,782	SolidWorks Professional	\$16,470	\$22,425	\$38,895
Alibre Design Expert	\$3,597	\$4,485	\$8,082	SolidWorks Premium	\$23,985	\$29,925	\$53,910
Purchase New Seats				Savings!!!	Initial Purchase	Maintenance	TCO
Enter Number of Seats	→ 3		→	PE vs. Standard	\$11,688	\$17,940	\$29,628
Enter Number of Years	→ 5			Professional vs. Professional	\$14,673	\$19,440	\$34,113
				Expert vs. Premium	\$20,388	\$25,440	\$45,828

This is an example of the “Total Cost of Ownership (TCO) Savings” you can realize over the next five years if you purchased three seats of Alibre Design rather than SolidWorks! To see how much you can save for other number of seats and years including “Replacement Savings” if you currently have SolidWorks seats, refer to the TCO Calculator.



Alibre Design vs. Pro/ENGINEER

Cost Comparisons and Total Cost of Ownership Savings

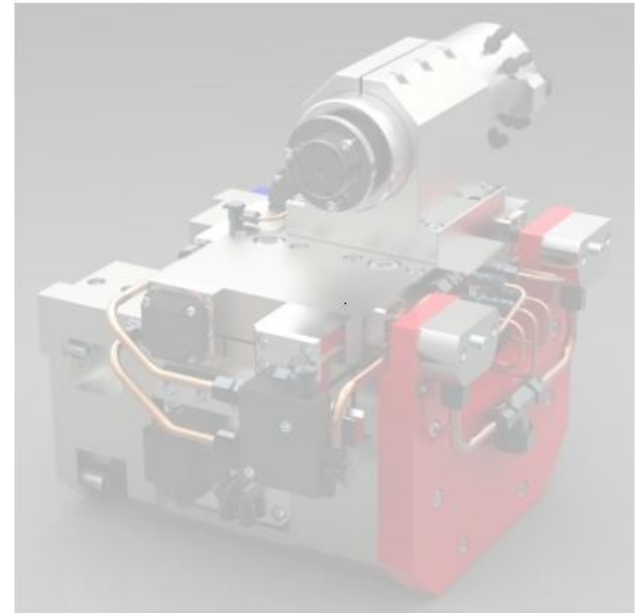
TCO Calculator Alibre Design vs. Pro/ENGINEER							
<i>Reg List Prices</i>	License cost	Annual Maint.		<i>Reg List Prices</i>	License cost	Annual Maint.	
Alibre Design PE	\$99	\$99		Pro/E Foundation XE	\$4,995	\$1,500	
Alibre Design Professional	\$599	\$199		Pro/E Advanced XE	\$9,995	\$2,395	
Alibre Design Expert	\$1,199	\$299		Pro/E Enterprise XE	\$24,995	\$4,995	
<i>Total Costs</i>	Total License	Total Maint.	TCO	<i>Total Costs</i>	Total License	Total Maint.	TCO
Alibre Design PE	\$297	\$1,485	\$1,782	Pro/E Foundation XE	\$14,985	\$22,500	\$37,485
Alibre Design Professional	\$1,797	\$2,985	\$4,782	Pro/E Advanced XE	\$29,985	\$35,925	\$65,910
Alibre Design Expert	\$3,597	\$4,485	\$8,082	Pro/E Enterprise XE	\$74,985	\$74,925	\$149,910
Purchase New Seats				Savings!!!	Initial Purchase	Maintenance	TCO
Enter Number of Seats →	3		→	PE vs. Foundation XE	\$14,688	\$21,015	\$35,703
Enter Number of Years →	5			Professional vs. Advanced XE	\$28,188	\$32,940	\$61,128
				Expert vs. Enterprise XE	\$71,388	\$70,440	\$141,828

This is an example of the “Total Cost of Ownership (TCO) Savings” you can realize over the next five years if you purchased three seats of Alibre Design rather than Pro/ENGINEER! To see how much you can save for other number of seats and years including “Replacement Savings” if you currently have Pro/ENGINEER seats, refer to the TCO Calculator.



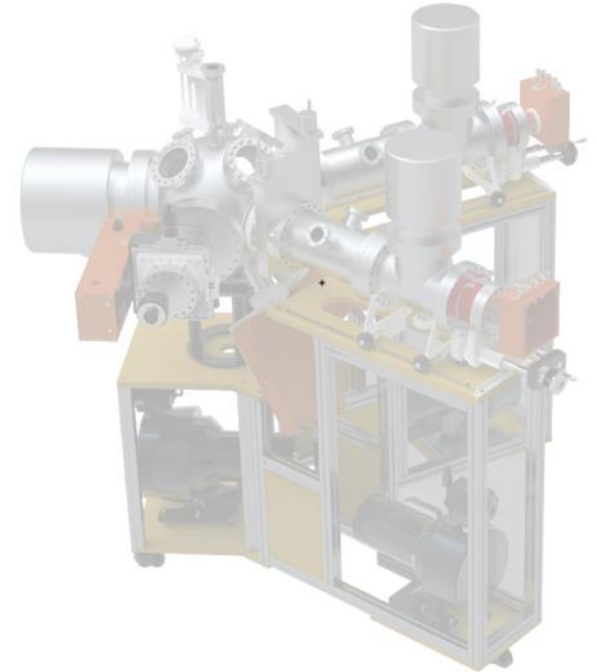
Alibre Support and Training Materials

Alibre's philosophy on training and support is that it should be easy to use, easy to understand, and instantly accessible. We offer the industry's only direct, instant-on, live technical support system so you are literally a click away from a real person at any time. Our training comes in many formats, allowing you to pick what works for you. Tutorials, comprehensive video training, exercise books, and live online seminars all work for you to get you up and running as fast as possible.



Free CAD Training and Support

- **Online Training @ Alibre Web Site**
 - View Quick Start Guide Video**
 - Download Training Segments Videos**
- **Unlimited Technical Support**
 - Phone Support from Alibre Office!**
 - Online Tech Support Sessions**
- **DBP Consulting Quick Start Package**



DBP Consulting Quick Start Package

When you purchase Alibre CAM software from DBP Consulting you get our quick start package at no extra charge! What does it include?

Video Training

Users Guide (PDF format)

Solid Models Examples

Drawing Templates

Hardware & Purchase Parts Library

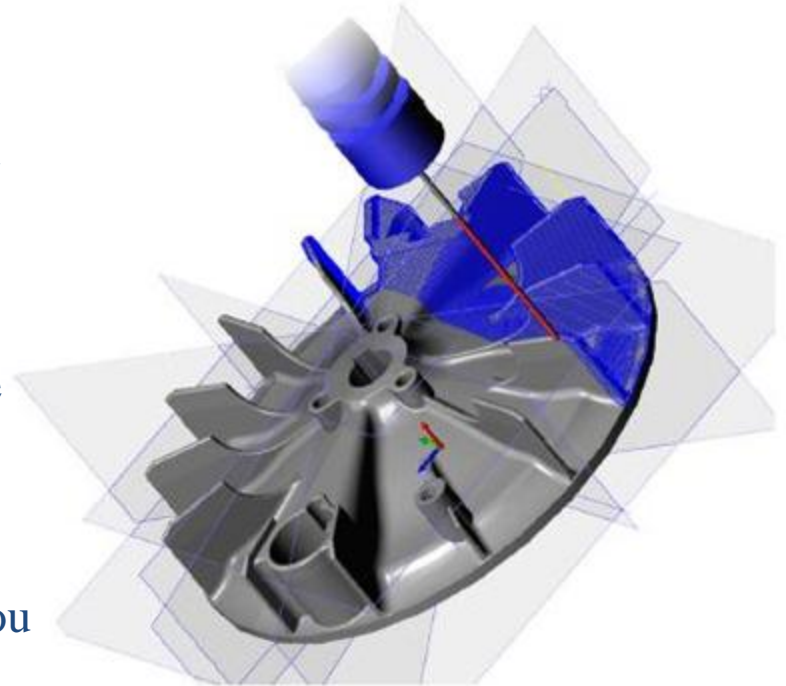
. . . and much, much more!



Alibre CAM Software

Alibre CAM machining products are built on technology that is in production at thousands of locations worldwide. From 2 ½-axis to 5-axis milling, Alibre CAM will help you make parts accurate and fast.

Alibre CAM is an intuitive single user interface with integral CAD, fully associative toolpaths, and a wide variety of post processors for a fraction of the price of competing systems. Compared to a stand-alone CAM system, Alibre CAM will save you valuable hours by automatically updating toolpaths when your model changes.



Alibre CAM Software

Alibre CAM Standard . . . \$1000

Alibre CAM Standard provides 2.5 and 3-axis milling directly inside Alibre Design. With profiling, engraving, hole making, and multiple roughing and finishing options, Alibre CAM standard is an affordable solution to your machining needs. Visit the Alibre website at www.alibre.com to see all the features available in the Alibre CAM Standard software package.



Alibre CAM Software

Alibre CAM Professional . . . \$2000

Alibre CAM Professional includes all the features of Alibre CAM Standard, such as powerful 2.5- and 3-axis rough and finish machining with customizable post-processors and multiple tool support. Both indexed and continuous 4th-axis machining as well as advanced toolpath simulation options make Alibre CAM Professional a complete 2.5-, 3- and 4-axis machining solution. Visit the Alibre website at www.alibre.com to see all of the features available in the Alibre CAM Professional software package.



Alibre CAM Software

Alibre CAM Expert. . . \$4000

Alibre CAM Expert delivers a 2.5- through 5-axis machining inside the Alibre Design interface. Containing all of the features of Alibre CAM Standard and Professional, you also get indexed 5-axis machining, graphical toolpath editing, advanced tool support, and many additional advanced 2.5 and 3-axis machining strategies. Alibre CAM Expert has the sophisticated machining capabilities of CAM systems costing many times more. Visit the Alibre website at www.alibre.com to see all of the features available in the Alibre CAM Expert software package.



Alibre Design System Requirements

Supported Operating Systems

- Windows XP Professional Edition or Home Edition
- Windows Vista Basic, Business, Home, or Ultimate
- Windows 7 Basic, Business, Home, or Ultimate
- 32-bit and 64-bit systems supported

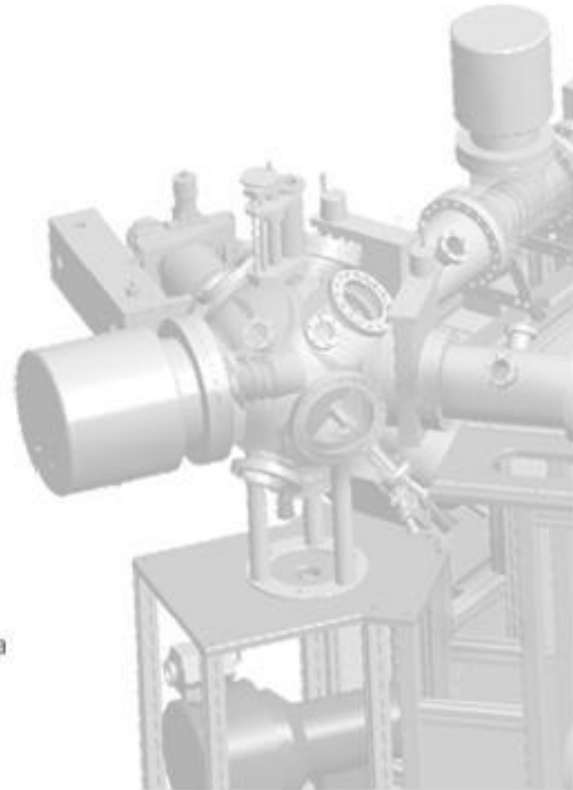
Software Requirements

- Internet Explorer 6.0 or later
- .NET 2.0 Framework
- J# Redistributable
- Microsoft DirectX 9.0c or later

Note: If you do not have these, they will be installed automatically.

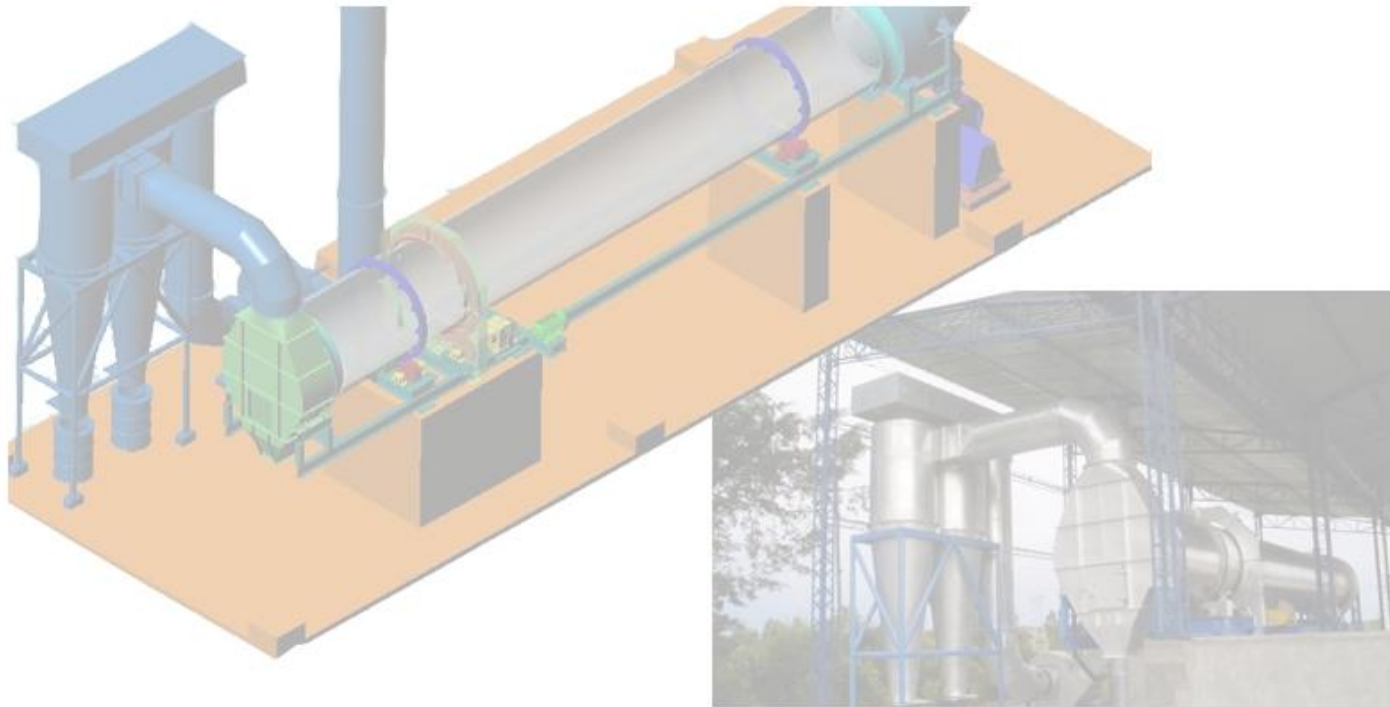
Hardware Recommendations

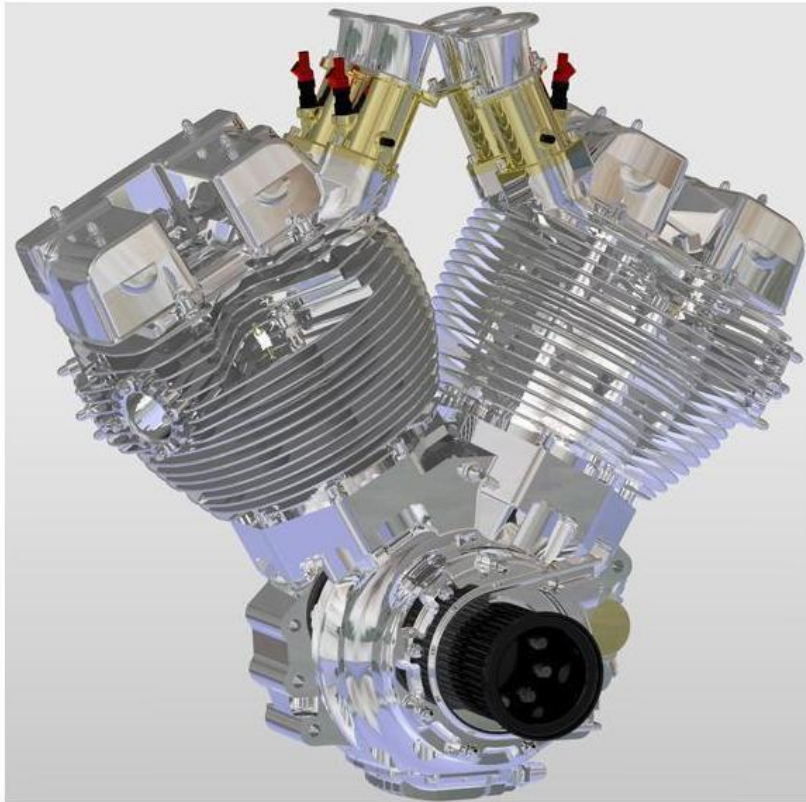
- Intel Pentium or equivalent processor:
2 GHz or faster
- RAM: 2 GB minimum
- Screen Resolution: 1024 x 768 minimum,
1280 x 1024 or greater recommended
- Video Card: 64 MB or higher, 128 MB minimum for Vista
Card must support DirectX 9.0c
- Hard Disk Space: 500 MB
- DVD-ROM Drive (if installing from DVD)
- Mouse or pointing device



Alibre Design Examples

The following slides show a variety of parts, equipment and complex systems that were designed and developed using Alibre Design CAD Software.





Motorcycle Enthusiast's First 3D CAD Project Wins Two Awards!

Bill Price designed a complex air-cooled motorcycle engine using Alibre Design.

“Without the CAD software from Alibre Design I could not have possibly afforded a 3D molding package powerful enough to design my motorcycle engine.”

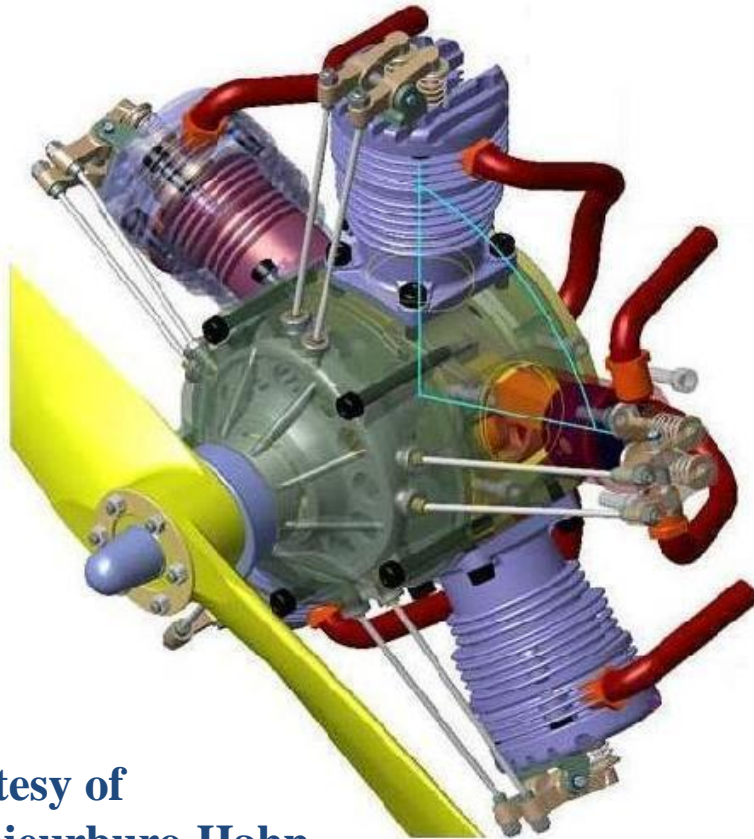


Motorcycle Project

Courtesy of
Bill Price



Five Cylinder Radial Engine



This is an example of a complex assembly that was created using Alibre Design CAD software.

This transparent cut-away view shows the inner workings of the airplane engine along with the hardware, piping, and other features illustrating the power and versatility of Alibre Design.

Courtesy of
Ingenieurburo Hahn



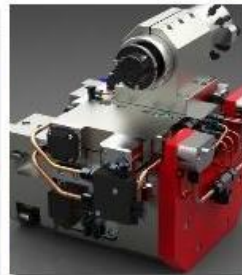
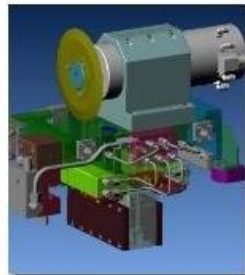
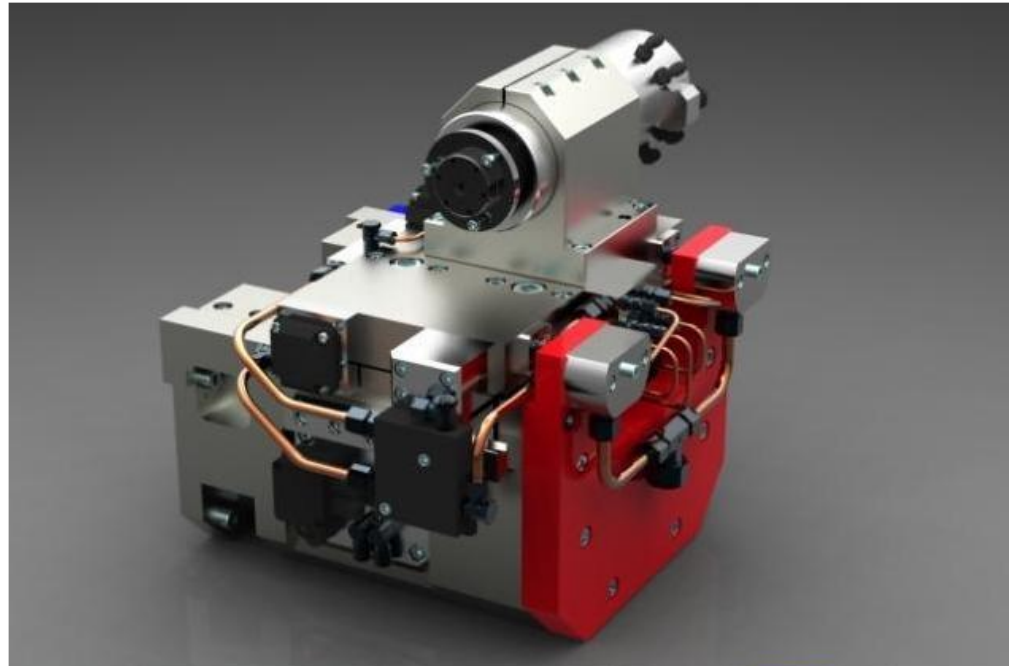
Chemical Vapor Deposition Machine



Courtesy of
Novellus Systems



Automatic Profile Grinding Machine



Courtesy of
Profiltec GmbH



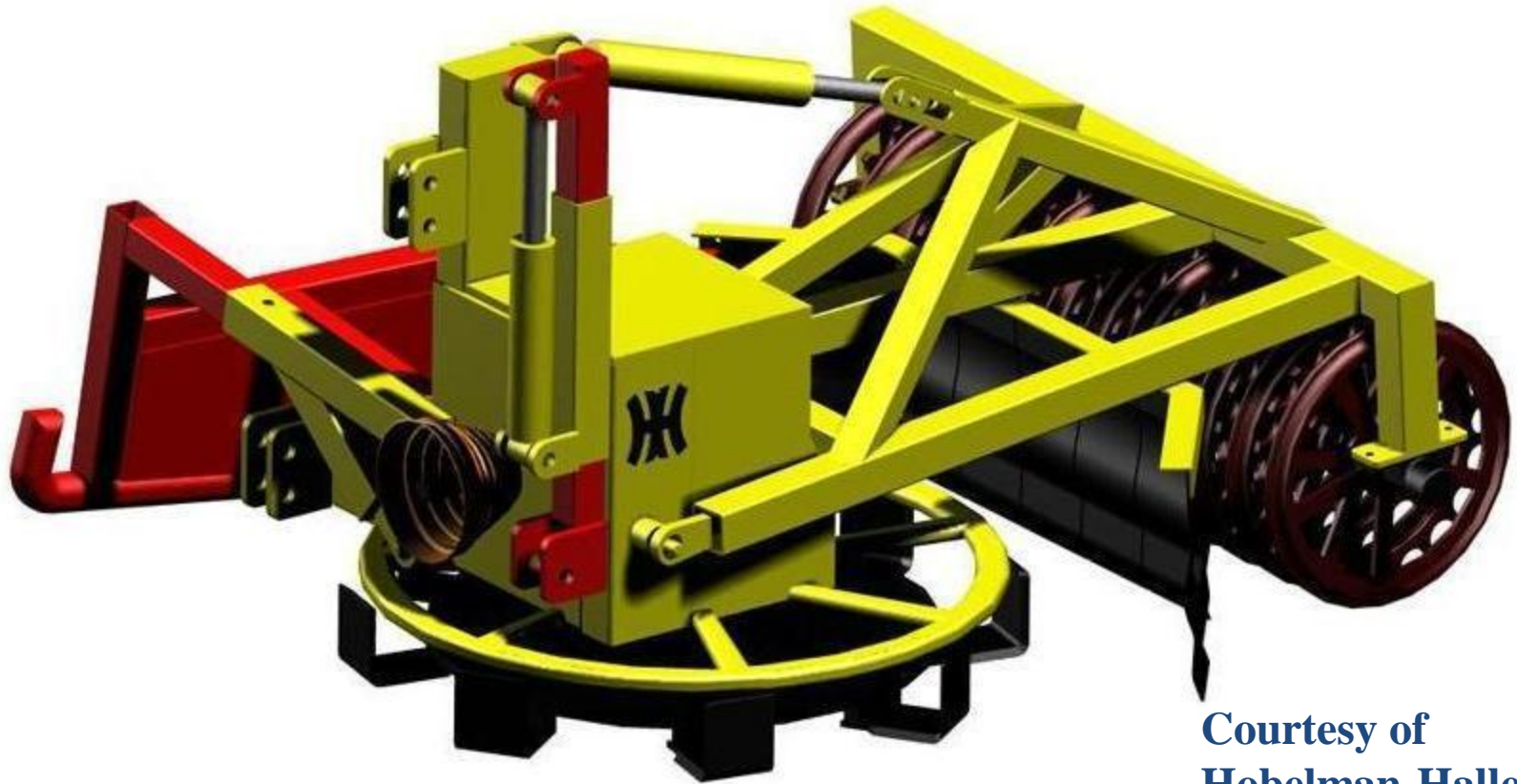
Zero Turning Radius Mower



Courtesy of
Beeline Mowers



Agriculture Equipment



Courtesy of
Hobelman-Halle



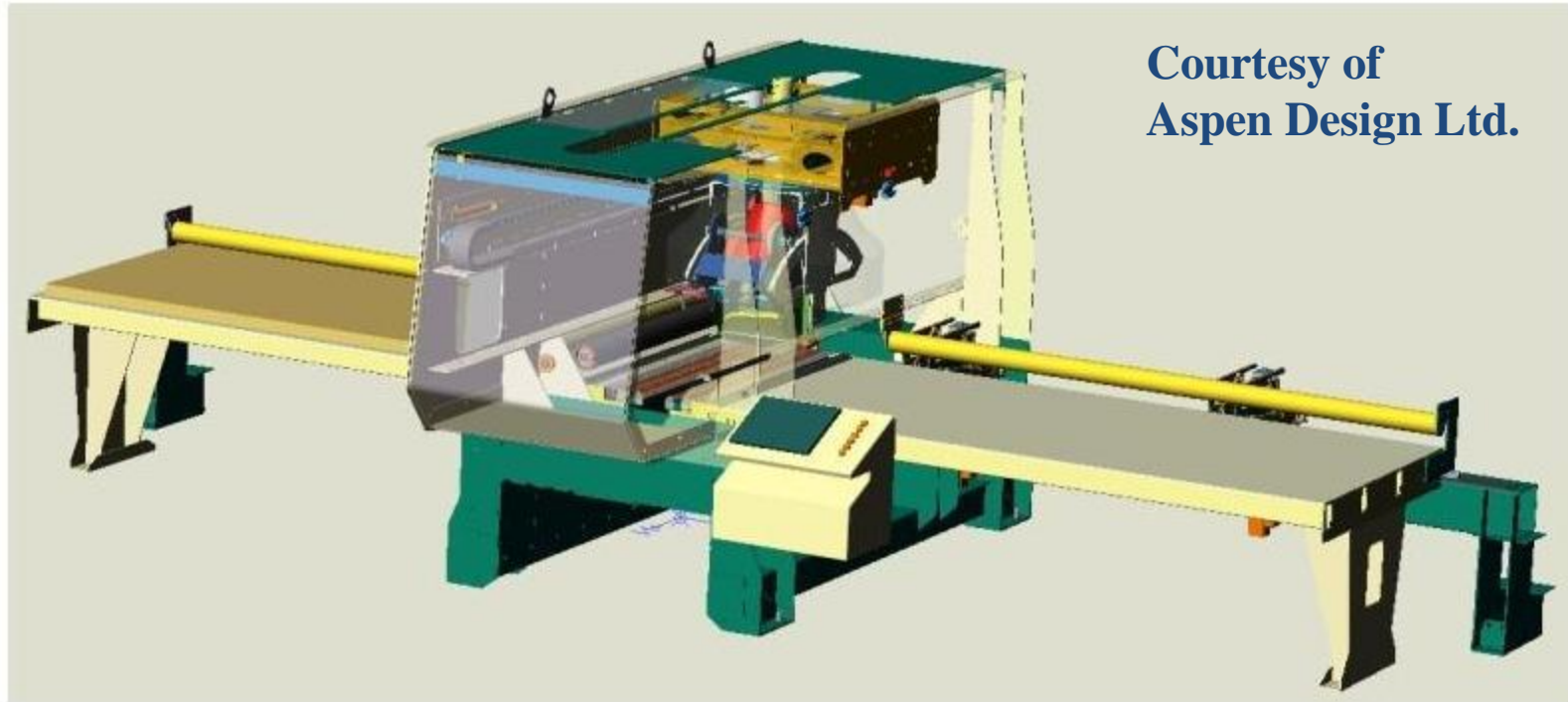
Hooby Excavator



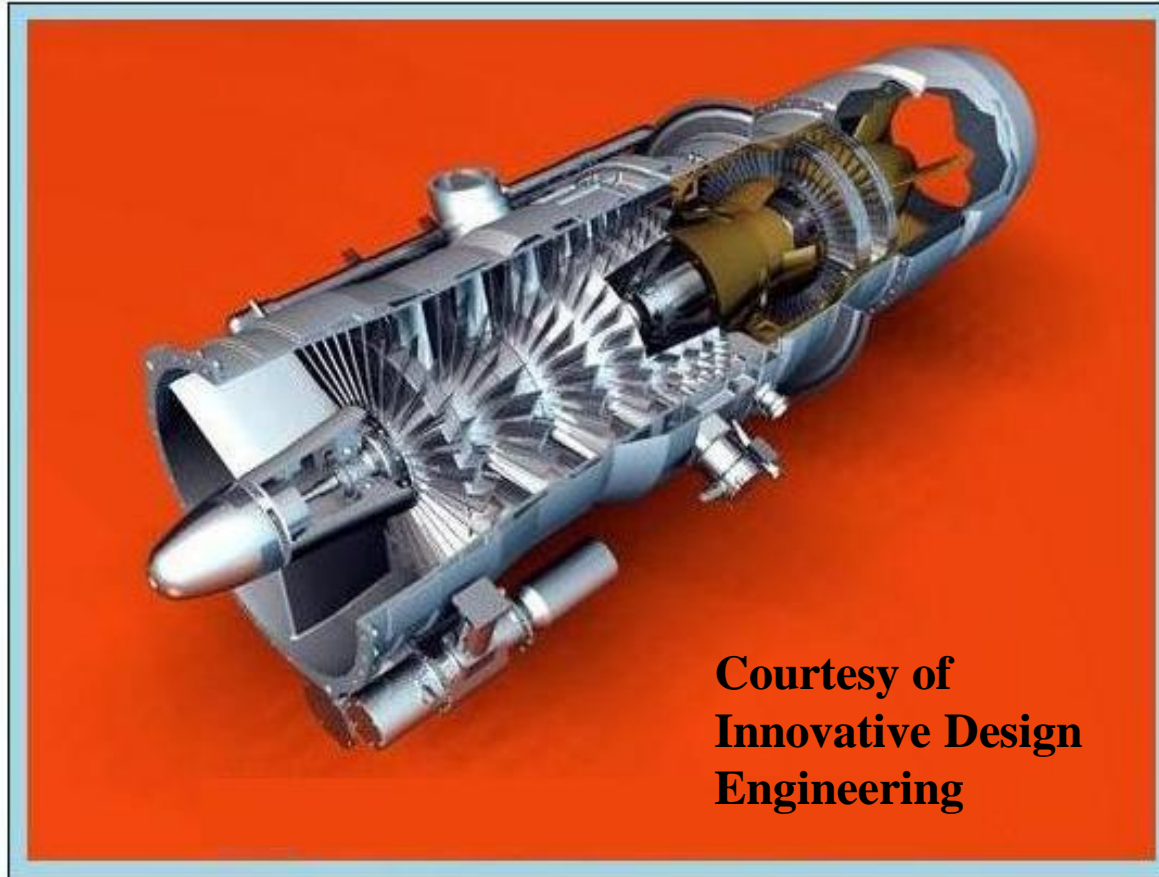
Courtesy of
Hobelman-Halle



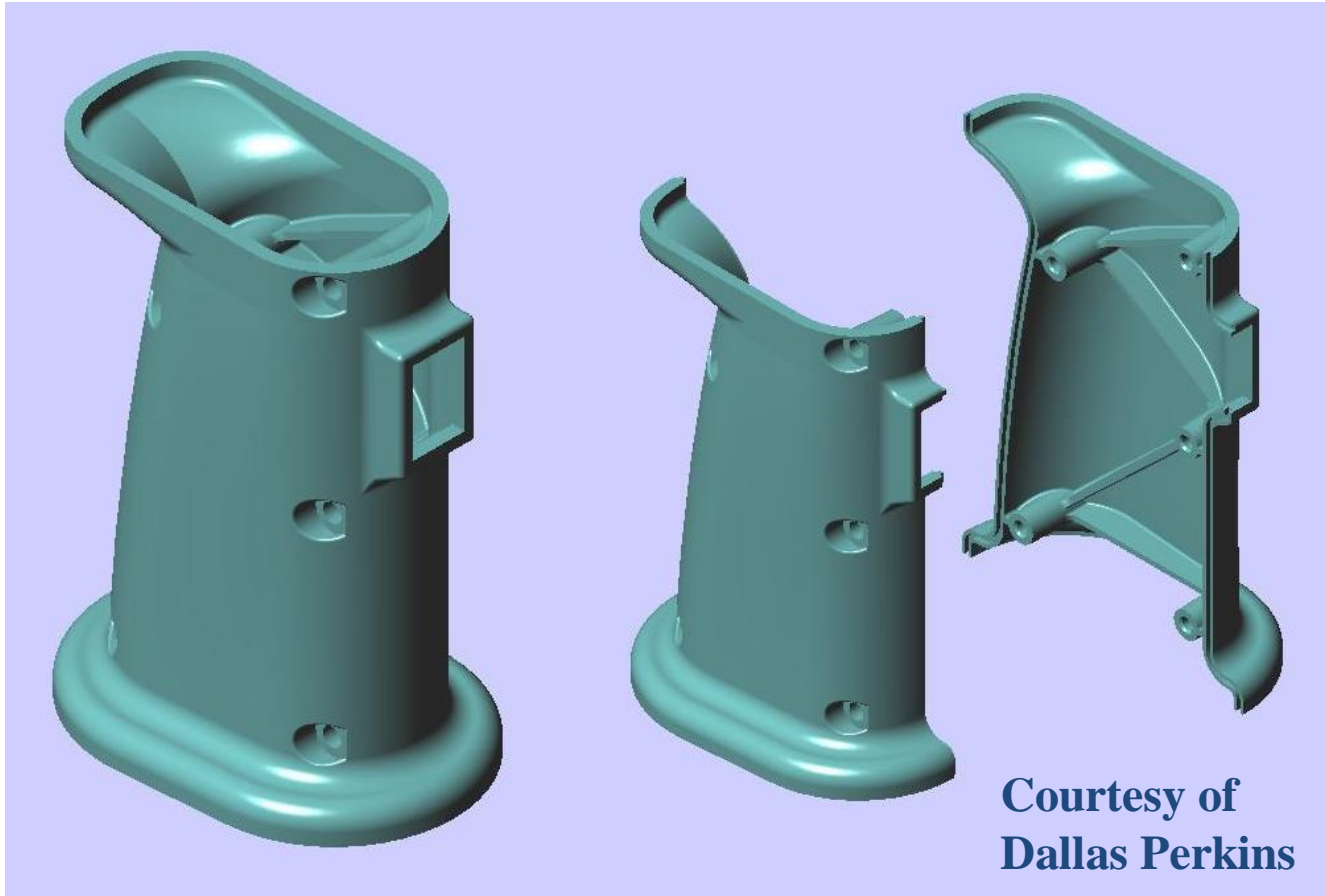
CNC Timber Cutting Saw



Jet Turbine Engine



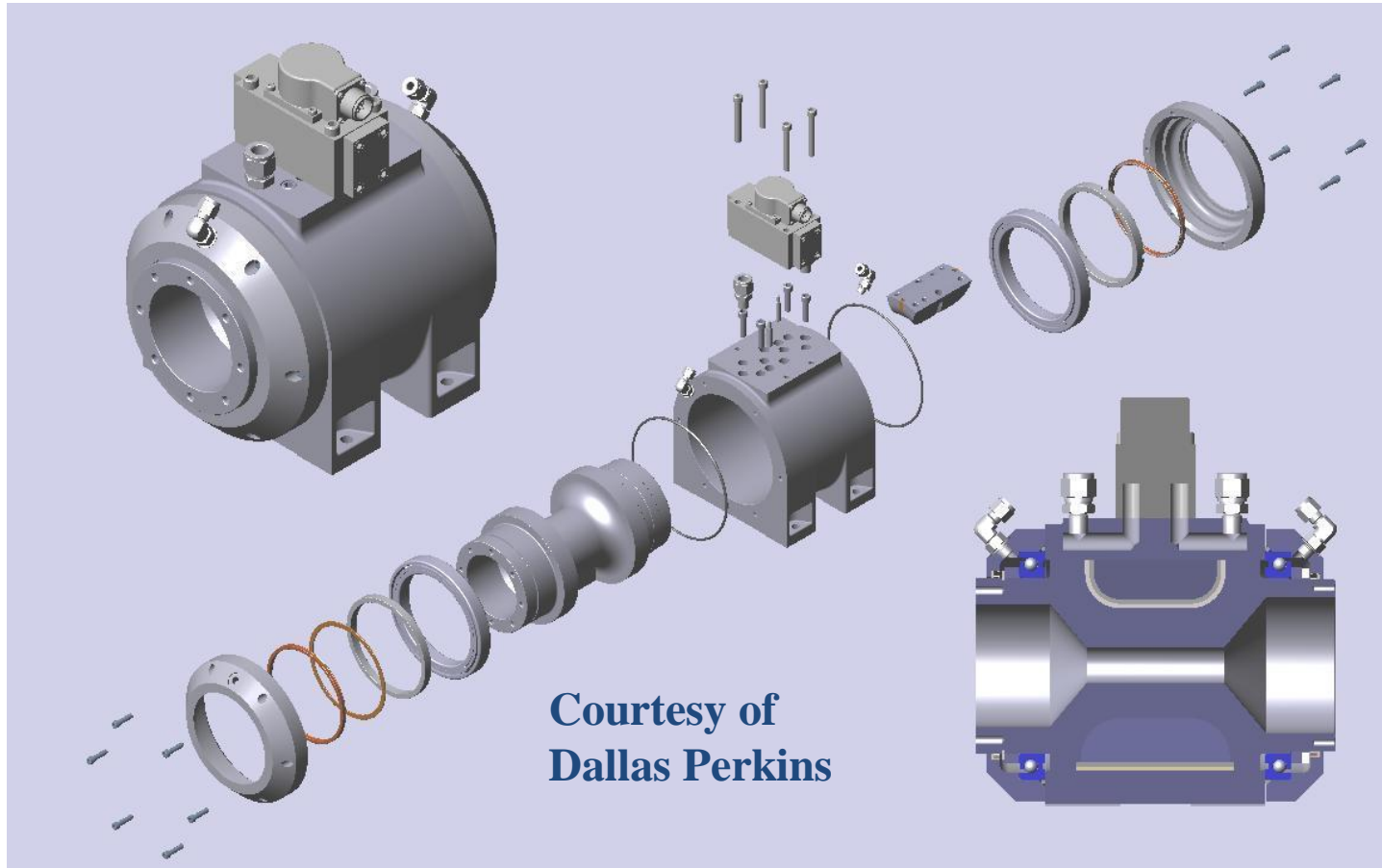
Molded Handle



Courtesy of
Dallas Perkins



Hydraulic Actuator



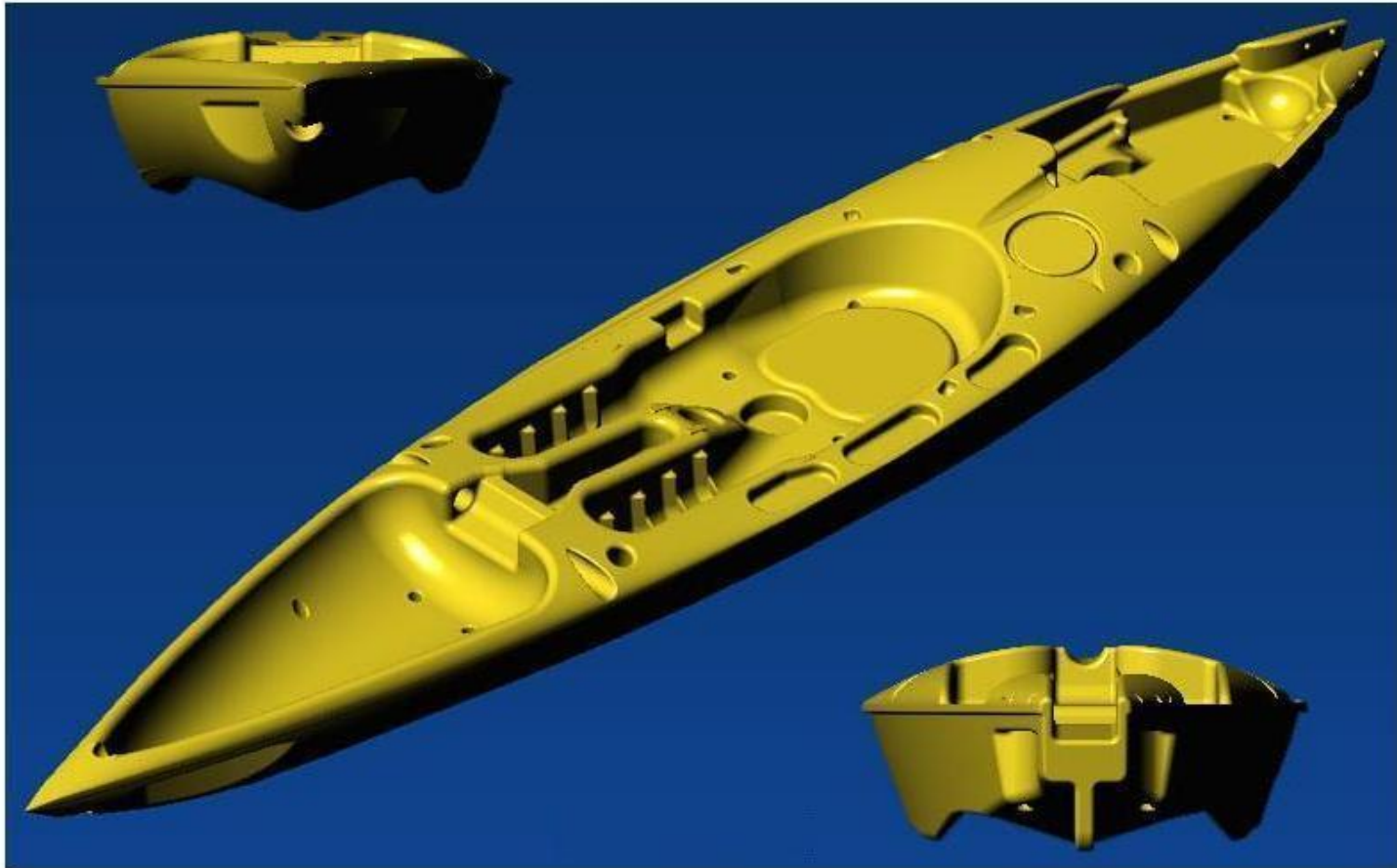
Quadbike

Courtesy of
Grant Marshall

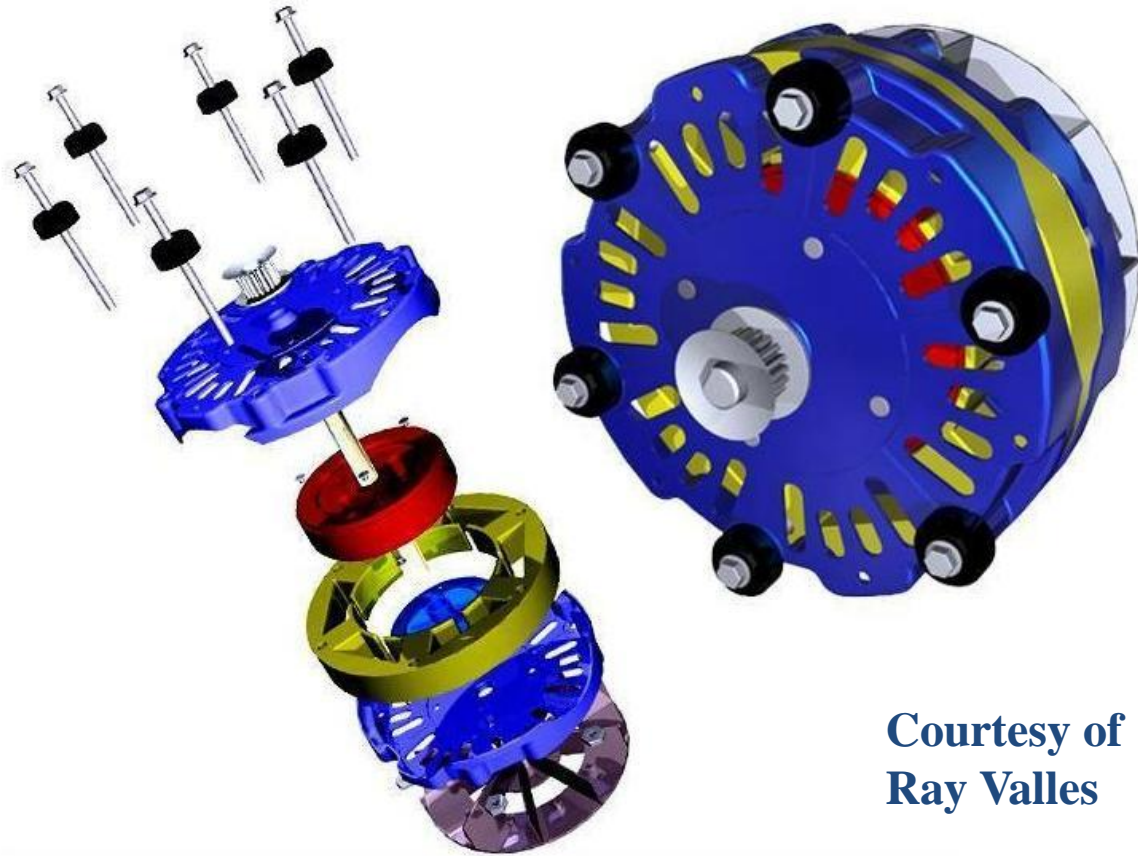


Kayak Hull

Courtesy of
Switch Kayaks



Commercial Mixer Motor



Courtesy of
Ray Valles



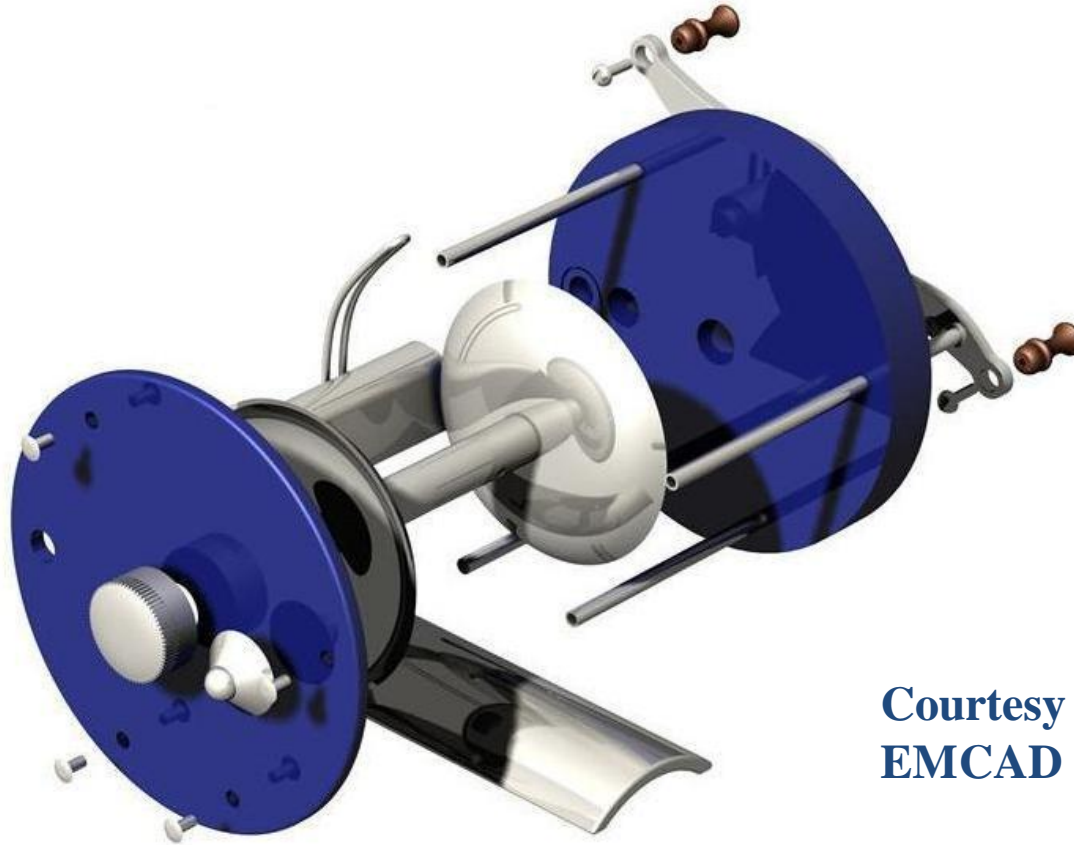
Paint Spray Gun



Courtesy of
Coating Atomization
Technologies



Fishing Reel



Courtesy of
EMCAD



Hustler Soft Hands Mechanism



Courtesy of
Hustler Handling
Equipment



CNC Grinding Machine



Courtesy of
Sjolanders Mekaniska AB



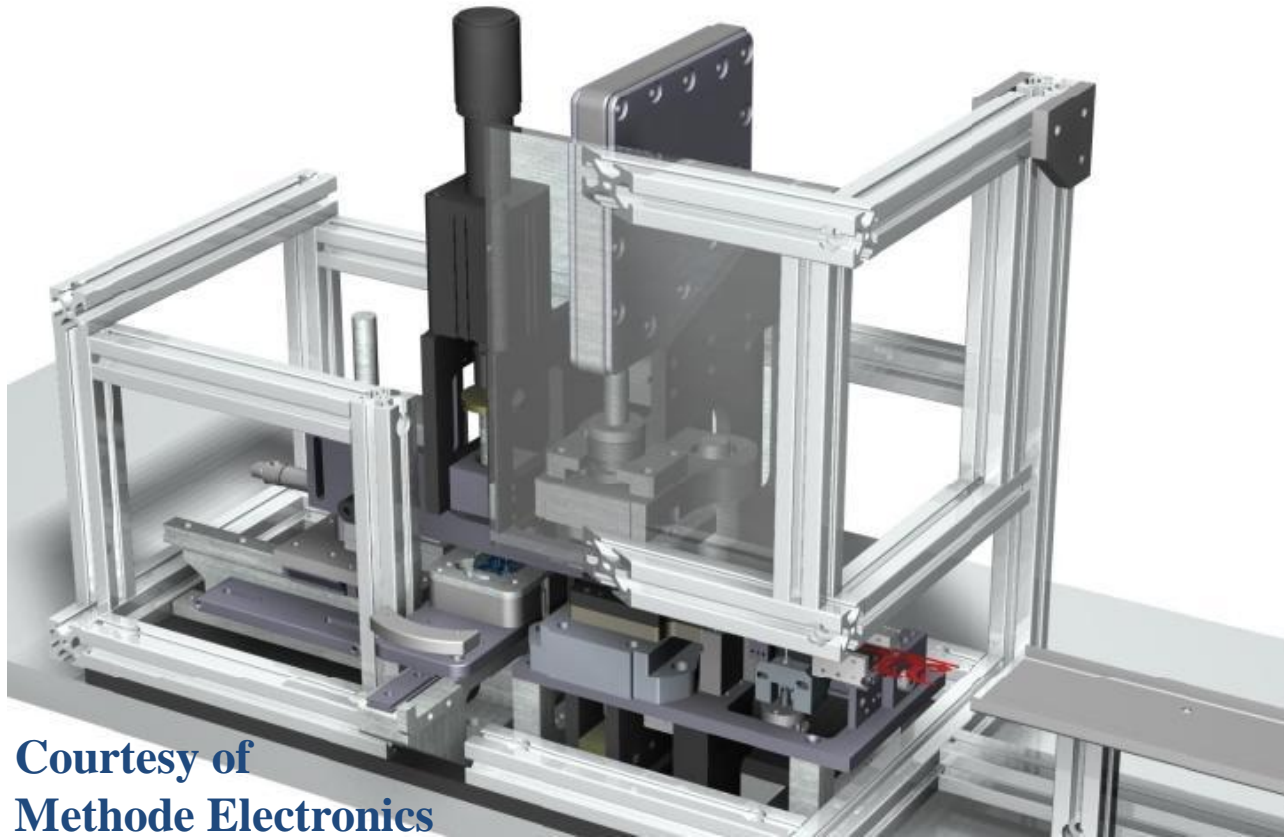
Home Theater Cabinet



Courtesy of
Barry Kingwill



Automotive Electronics Manufacturing Machine



Courtesy of
Methode Electronics

